

Paper towel dispenser

- Stainless steel paper towel dispenser.
- Wall mounted.
- Frontal cover for an easy paper refilling.
- Designed for folded paper towels "C" or "Z".
- Durability and resistance against rust and corrosion.
- Satin finished stainless steel. Also available polish finished (NOFER 04005.B) and white painted finished steel (NOFER 04005.W).
- Level viewer.
- Safety closure with pin tumbler lock.



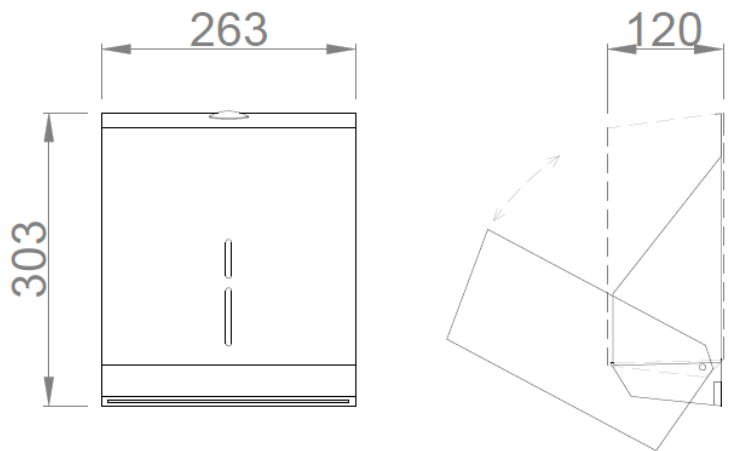
TECHNICAL DETAILS

- Made of stainless steel.
- Dimensions: 303 height x 263 width x 120 depth (mm).
- Consumable: NOFER 06009.E.
- Includes mounting components.
- Capacity: 450 uses.
- Weight: 1,9 kg.
- Maintenance: stainless steel needs maintenance because dust can eventually damage the chromium (Cr) content in stainless steel. We recommend monthly cleaning with a stainless steel special cleaner.

SUGGESTED TEXT FOR PRESCRIPTION

NOFER satin finished stainless steel paper towel dispenser. Wall mounted. Designed for folded paper towels "C" or "Z", with level viewer and security pin tumbler lock. Dimensions: 303 height x 263 width x 120 depth (mm).

TECHNICAL DRAWING



DIMENSIONS IN mm



NOFER S.L.  
 Ctra. Laureà Miró, 385-387  
 08980 · Sant Feliu de Llobregat (Barcelona)  
 Tel +34 934 742 423 · Fax +34 934 743 548  
 nofer@nofer.com · www.nofer.com

Related Products

